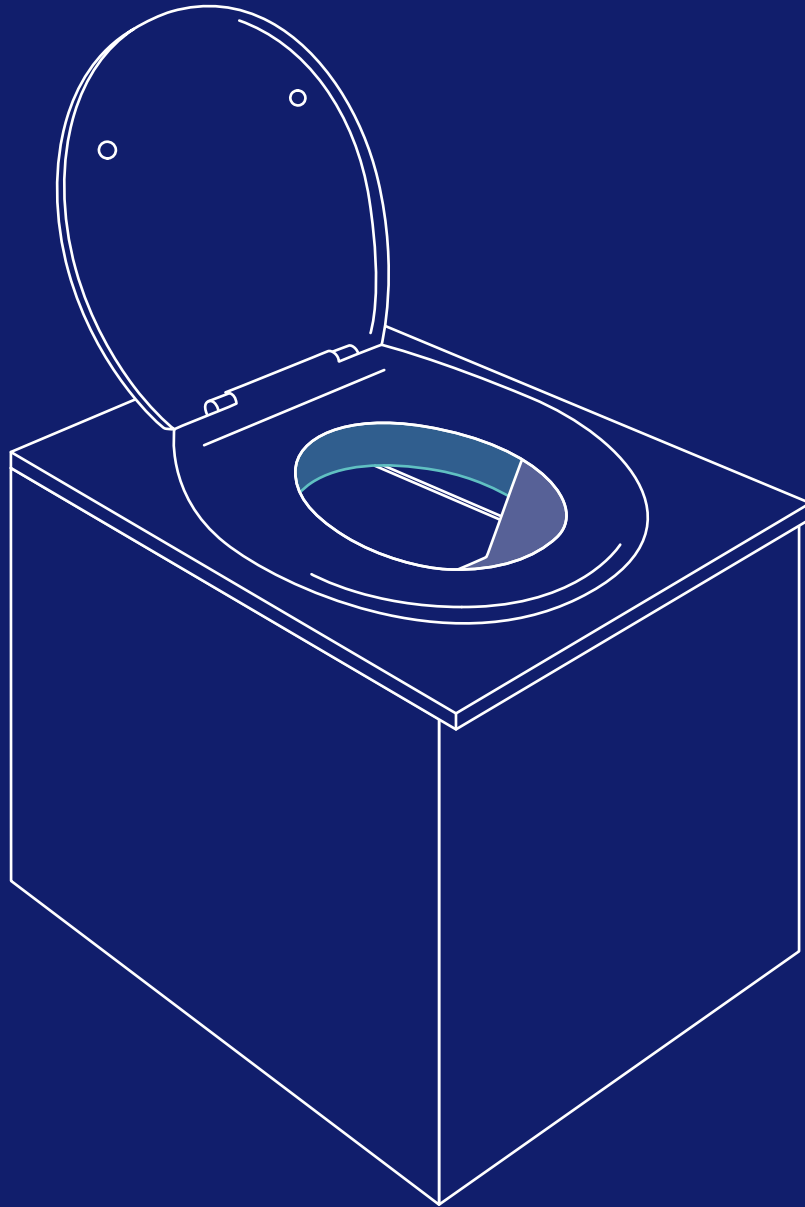


DIY BUCKET TOILET MANUAL



shit&blossoms

PARTS

1 TOILET SEAT

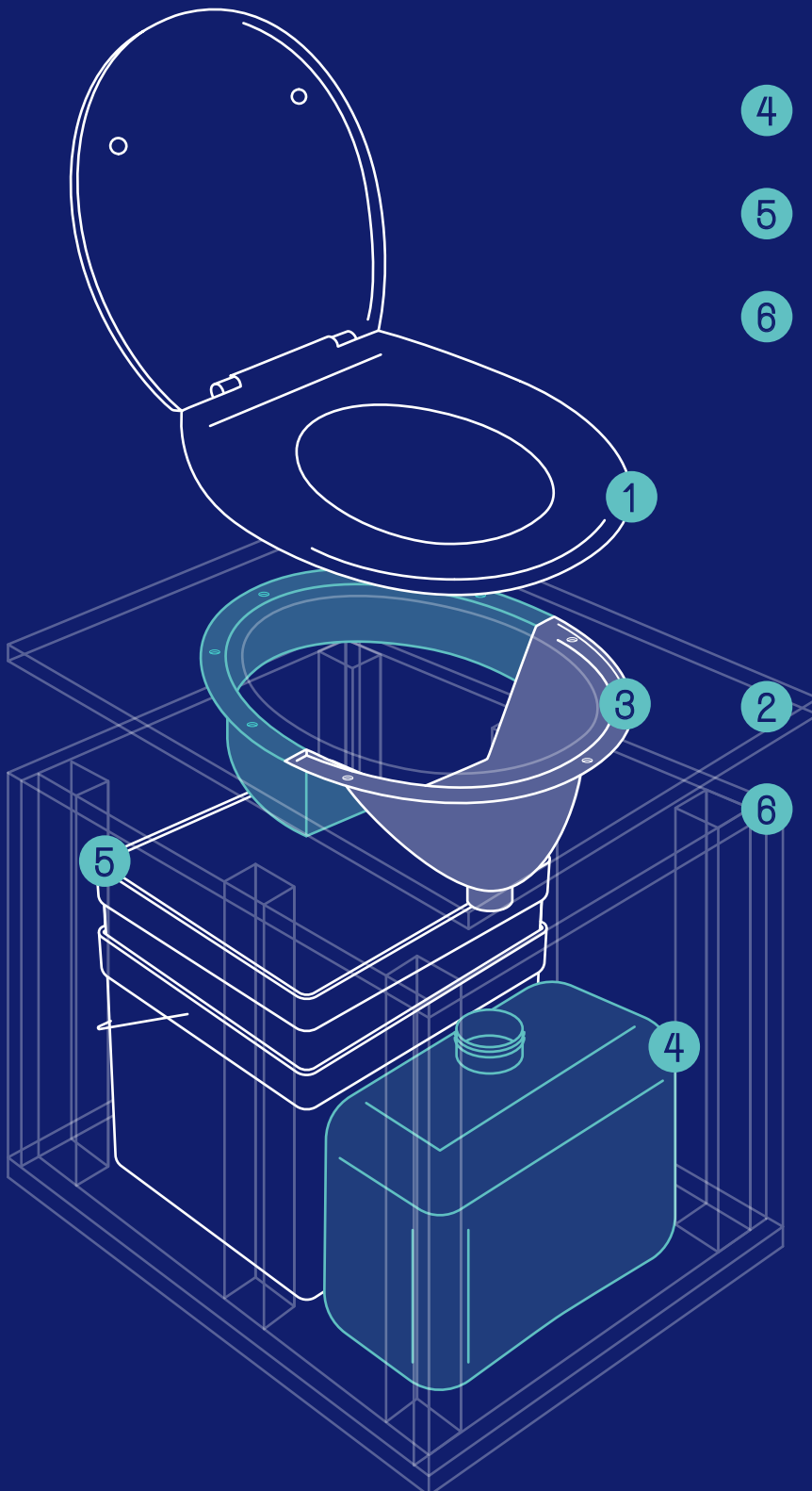
2 WOOD BOARD

3 SEPARATOR
+INOXIOUS

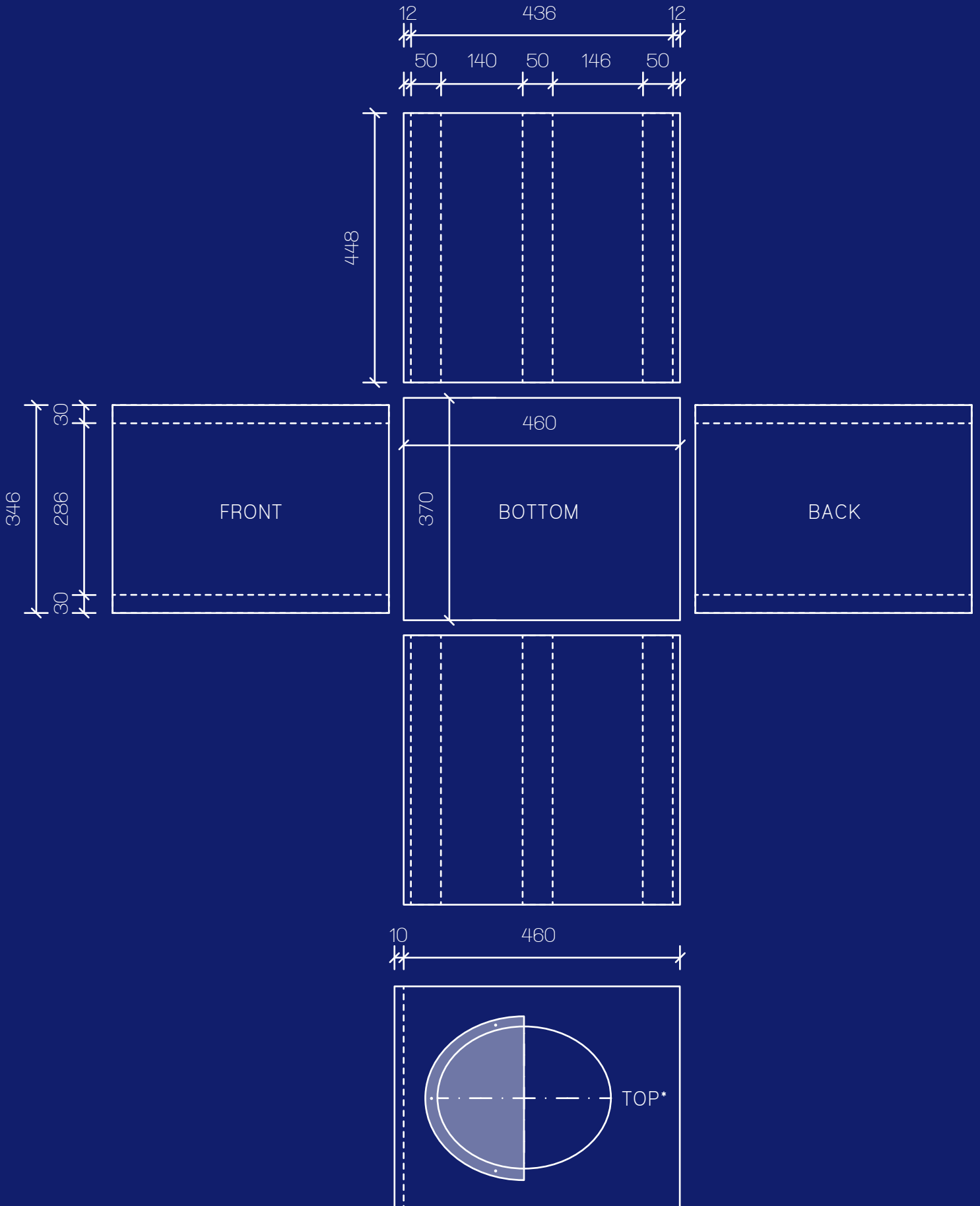
4 URINE TANK

5 SOLID CONTAINER

6 WOOD BOX

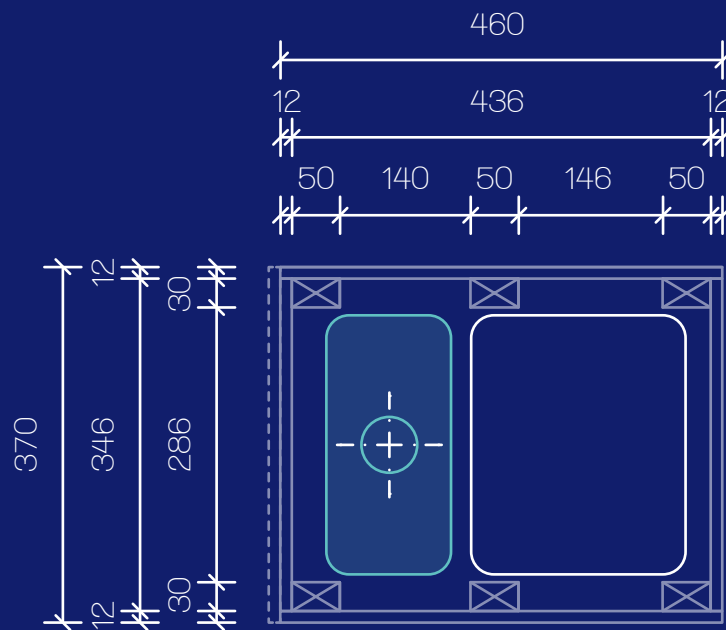


PREPARATION

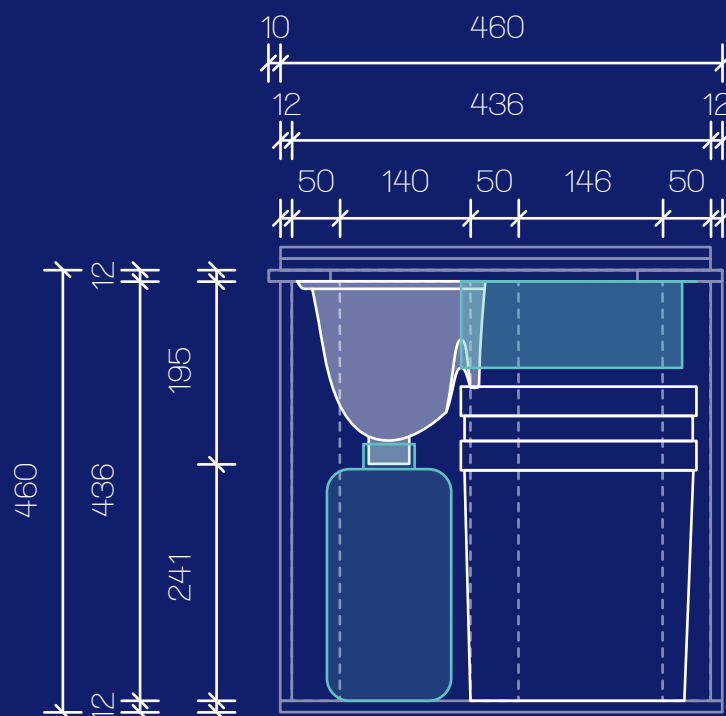


*DUE TO DIFFERENT INTERNATIONAL TOILET SEAT SIZE STANDARDS AND PERSONAL PREFERENCE, THE BEST PRACTICE IS TO MAKE A CUSTOM TOP HOLE BASED ON THE SIZE OF THE TOILET SEAT OF YOUR CHOICE

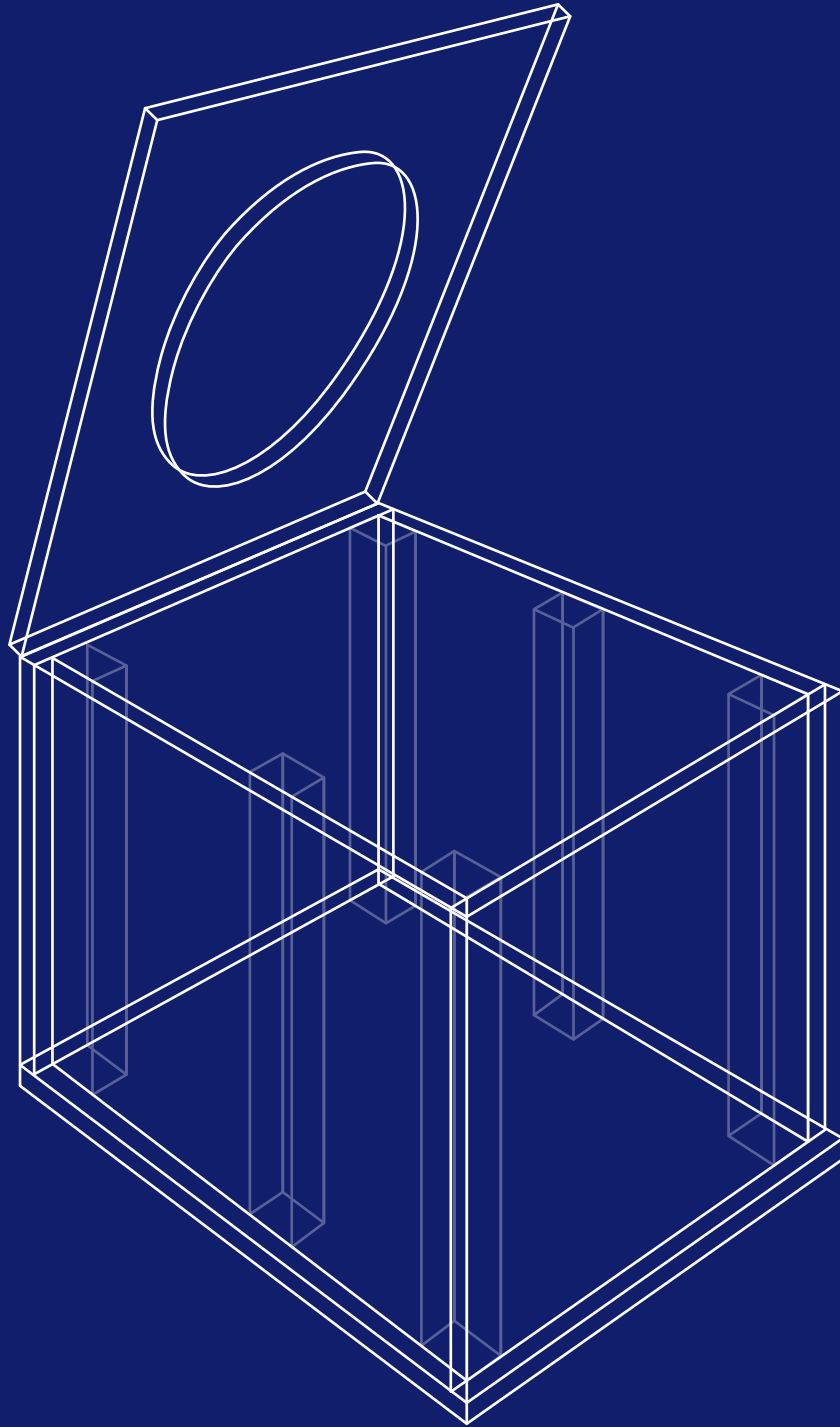
TOP VIEW + CONTAINERS



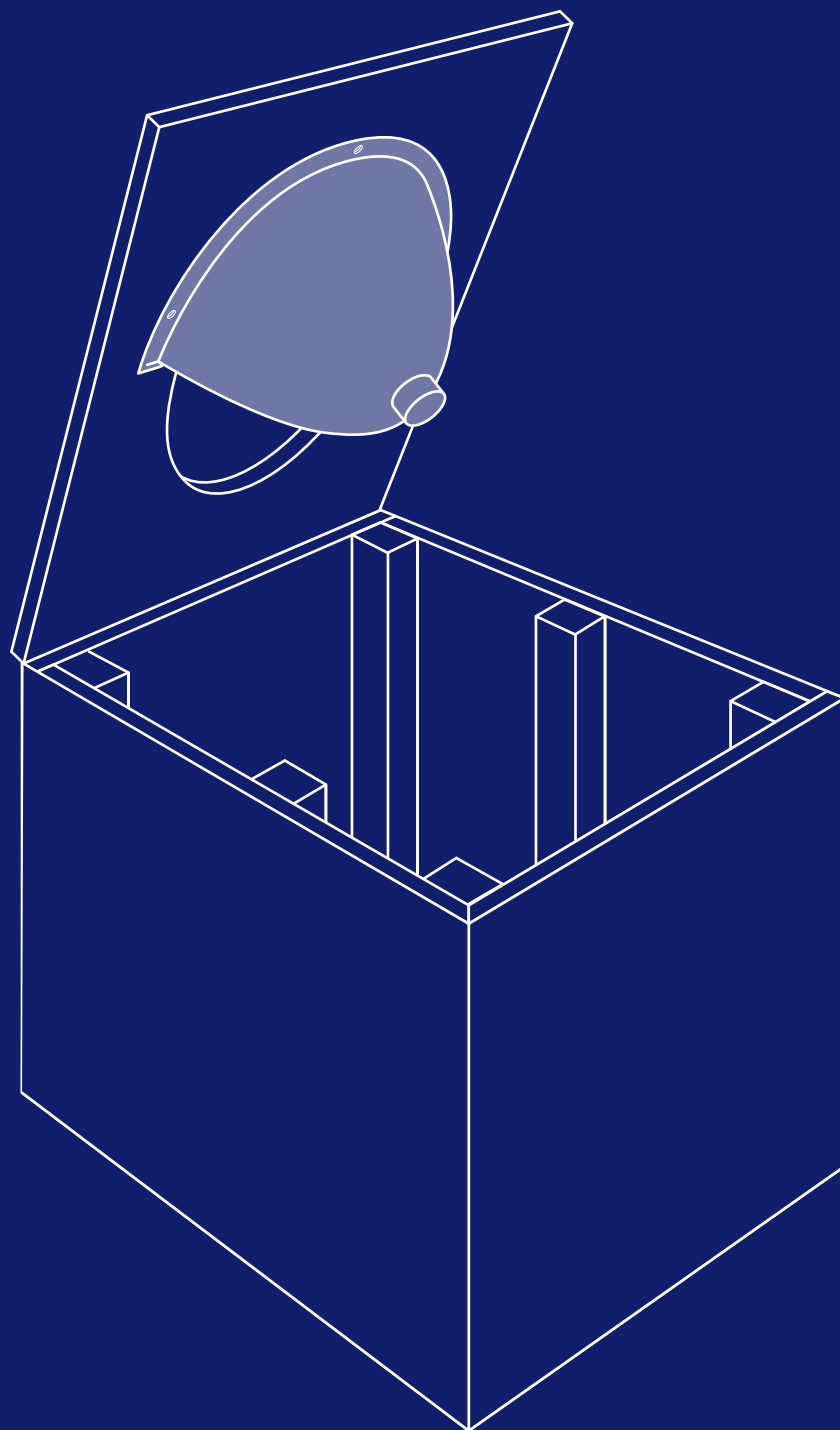
SIDE VIEW + CONTAINERS + SEPARATOR



FINAL VIEW



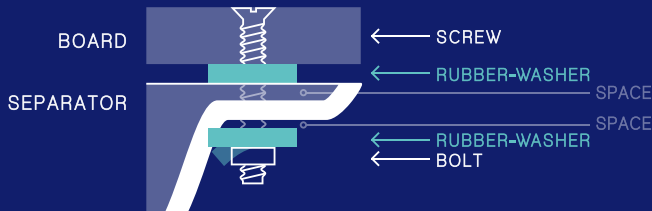
FINAL VIEW
+ SEPARATOR



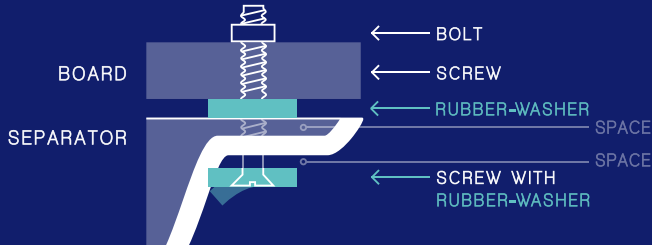
URINE SEPARATOR INSTALLATION

DO

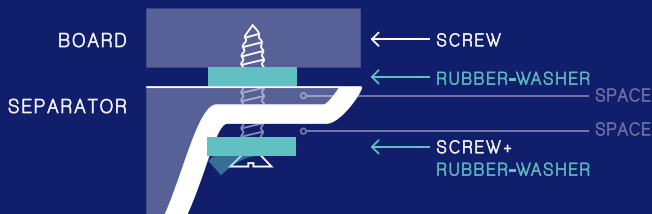
EXAMPLE #1



EXAMPLE #2

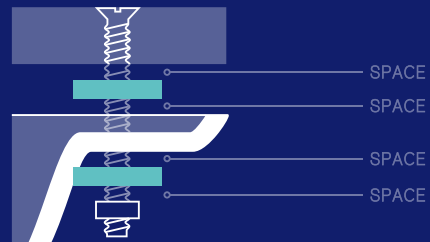


EXAMPLE #3



DON'T

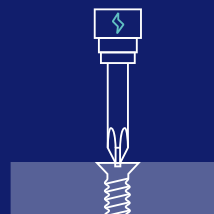
SCREW TOO LOOSE



SCREW TOO TIGHT

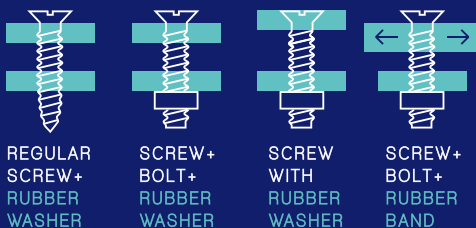


USE ELECTRIC SCREWDRIVER*



*UNLESS YOU ARE EXPERIENCED
+ KEEP IT ON A LOWEST SPEED

TYPES OF SCREW+RUBER COMBINATION



INOXIOUS INSTALLATION

